

AERIAL RIG

Technical Data Sheet

PRS PERFORMANCE RIGGING SOLUTIONS



Email:
info@performanceriggingsolutions.com

Features:

- Rigid and Free Standing
- 3,000 lbs Vertical Capacity
- Multiple Attachments Points
- Aluminum Frame
- Easy Set Up

PE Stamped for a 3,000 pound center point load in all 50 states.

Dimensions	20''x16.5'x19'
Weight of Assembly	415 lbs
Material	Aluminum and Steel
Load Capacity	3,000 lbs Vertical Load
Wind Rating	90 mph

AERIAL RIG

Technical Data Sheet

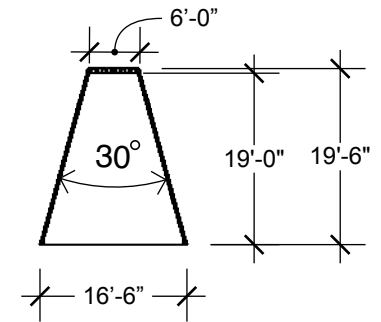
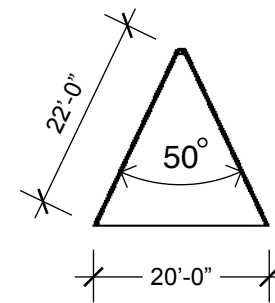
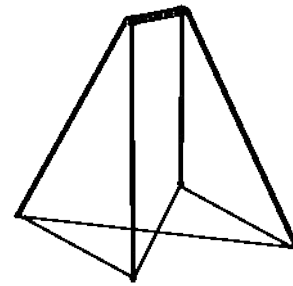
PRS PERFORMANCE RIGGING SOLUTIONS

MT ModTruss INC

3"x3" Aluminum Extrusion Legs

Aluminum Header Bracket

6"x6"x6' Aluminum ModTruss



3"x3" Aluminum Extrusion Legs

Hinge Footings

Strap Plate

Stability Straps

