

# C.A.B.

Common Area Barrier



ModTruss<sup>INC</sup>

## Technical data sheet

**Expediting Available!**



	Length	Width	Height
<b>Dimensions</b>	48"	48"	72"
<b>Weight</b> (Single Module)	30 Lbs		
<b>Expansion Module</b>	20 Lbs		
<b>Material</b>	PVC/ Polycarbonate		
<b>Setup time</b>	4 min per module		

Single Module \$ 485.24  
Each Expansion \$ 325.18

5 Module package \$ 1,749.00

Sales Tax and shipping not included.

### Features:

Easy Clean surface

Rigid and free standing

Simple assembly, all assembly tools provided.

Expandable and Modular to fit a variety of seating areas

Custom sizes and colors available.

Translucent or opaque.

Fire Retardance: Class A / CC1 Fire-Rated per ASTM E-84

**\*Product is for use in waiting areas for the purposes of reducing cross contamination between occupants.**

TO Order:  
Call: 01.844.663.8787  
Email: info@modtruss.com

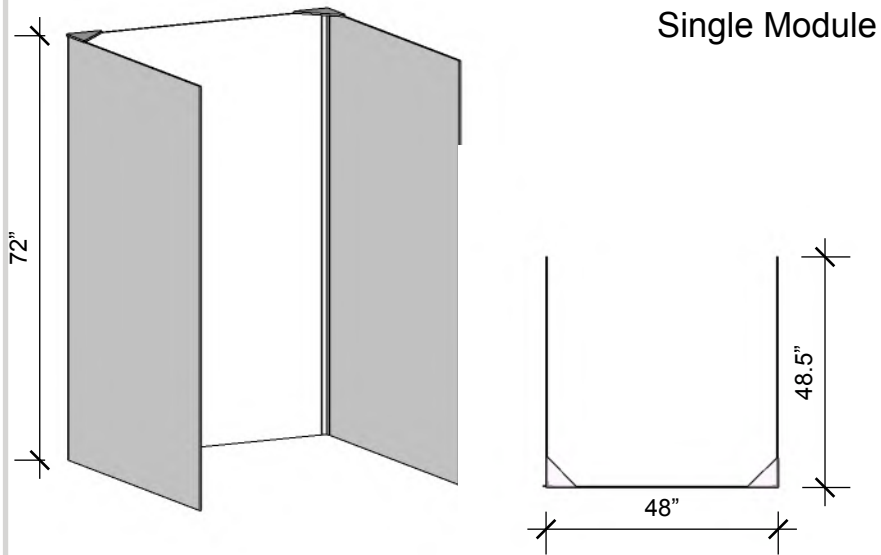
ModTruss Inc  
33 Sheboygan St.  
Fond Du Lac, WI  
54935 USA  
www.ModTruss.com

Patent pending:

All Product shipped From Fond Du Lac, WI USA

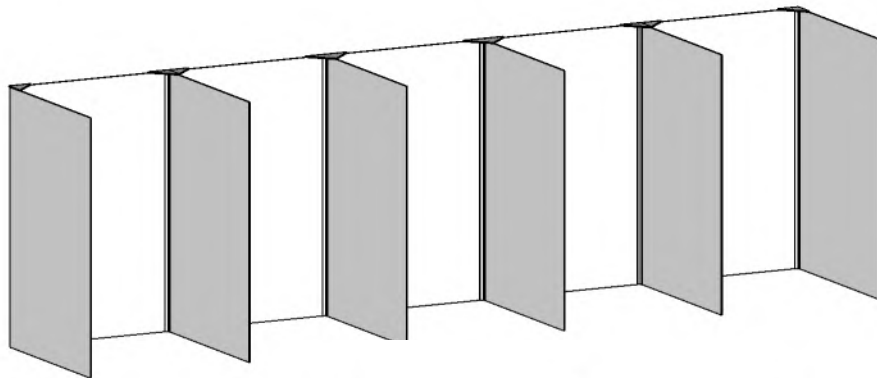


### Technical data sheet

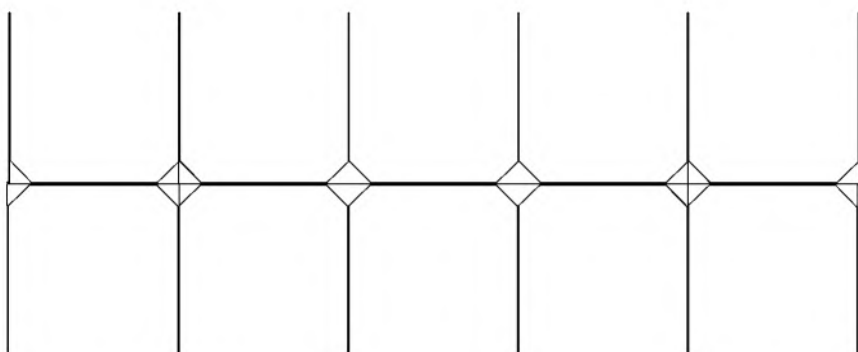
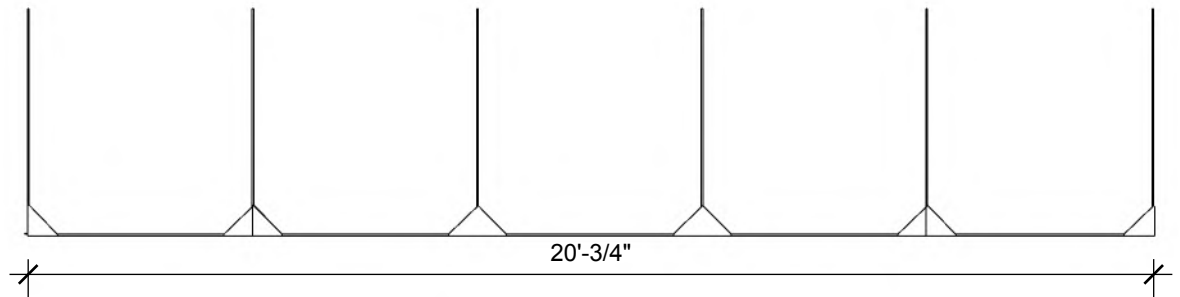


TO Order:  
Call: 01.844.663.8787  
Email: [info@modtruss.com](mailto:info@modtruss.com)

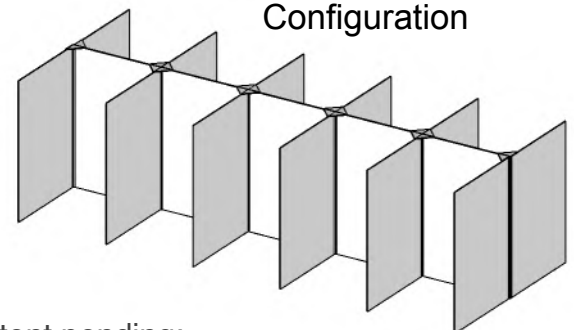
**ModTruss Inc**  
33 Sheboygan St.  
Fond Du Lac, WI  
54935 USA  
[www.ModTruss.com](http://www.ModTruss.com)



5 Module package



Double Expansion Configuration



Patent pending:

# C.A.B. (BD)

Common Area Barrier (Bed Divider)



## Technical data sheet

**Expediting Available!**



	Length	Width	Height
<b>Dimensions</b>	96"	96"	84"
<b>Weight</b> (Single Module)	70 Lbs		
<b>Expansion Module</b>	20 Lbs		
<b>Material</b>	PVC/ Polycarbonate		
<b>Setup time</b>	15 min per module		

Single Module \$ 1355.00  
Each Expansion \$ 940.00

5 Module package \$ 4960.00

Sales Tax and shipping not included.

### Features:

- Easy Clean surface
- Rigid and free standing
- Simple assembly, all assembly tools provided.
- Expandable and Modular to fit a variety of areas
- Custom sizes and colors available.
- Translucent or opaque.
- Fire Retardance: Class A / CC1 Fire-Rated per ASTM E-84

**\*Product is for reducing cross contamination between occupants.**

TO Order:  
Call: 01.844.663.8787  
Email: info@modtruss.com

ModTruss Inc  
33 Sheboygan St.  
Fond Du Lac, WI  
54935 USA  
www.ModTruss.com

Patent pending:

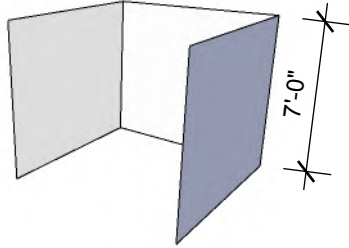
All Product shipped From Fond Du Lac, WI USA

# C.A.B. (BD)

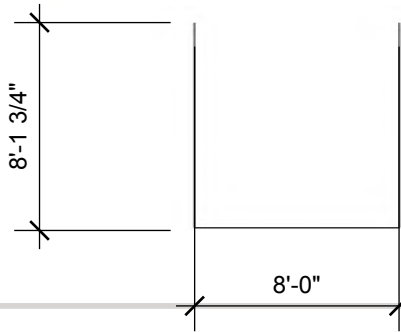
Common Area Barrier (Bed Divider)



## Technical data sheet



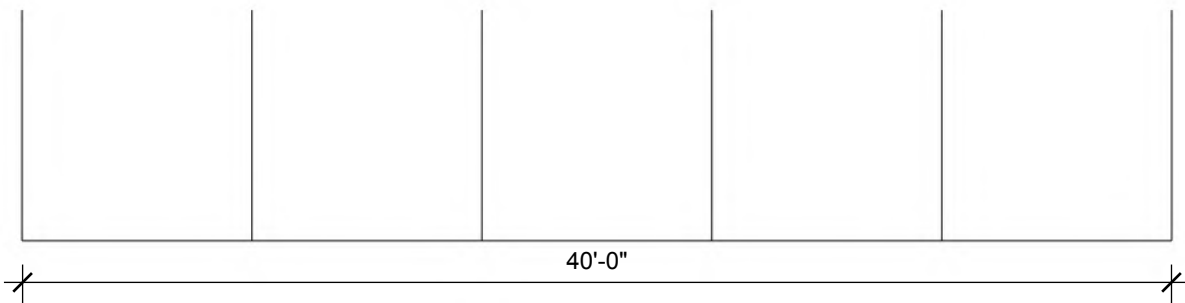
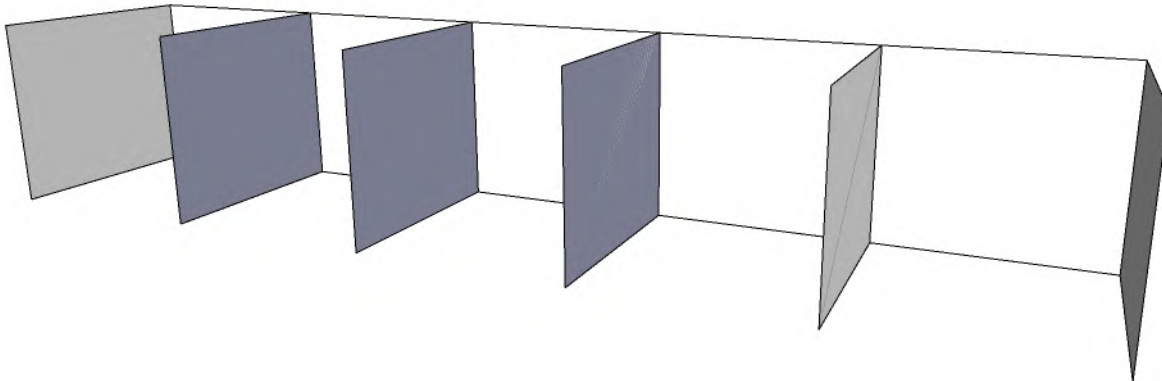
Single Module



TO Order:  
Call: 01.844.663.8787  
Email: [info@modtruss.com](mailto:info@modtruss.com)

**ModTruss Inc**  
33 Sheboygan St.  
Fond Du Lac, WI  
54935 USA  
[www.ModTruss.com](http://www.ModTruss.com)

5 Module package



Patent pending: